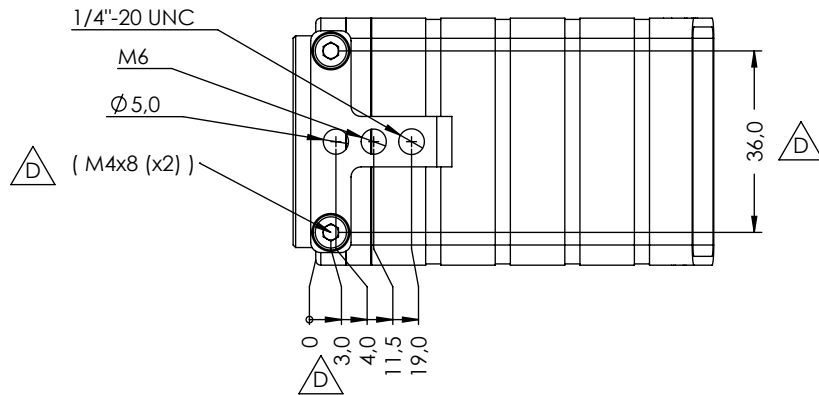
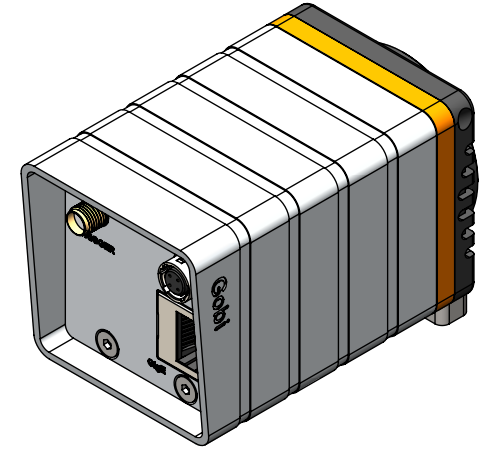
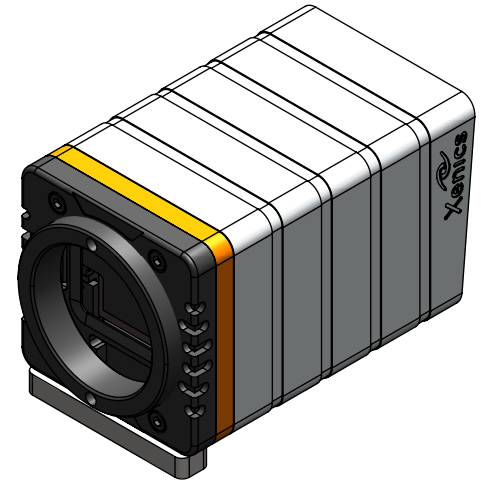
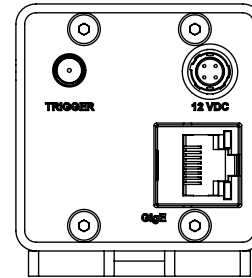
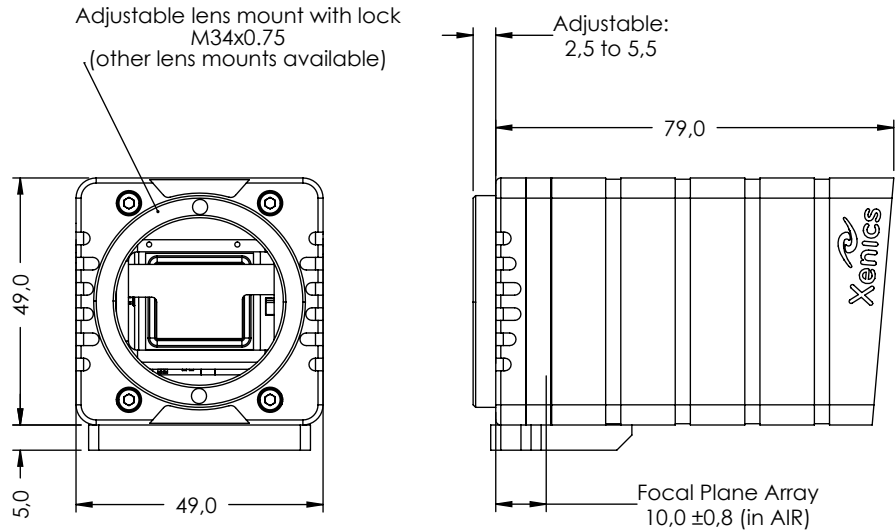
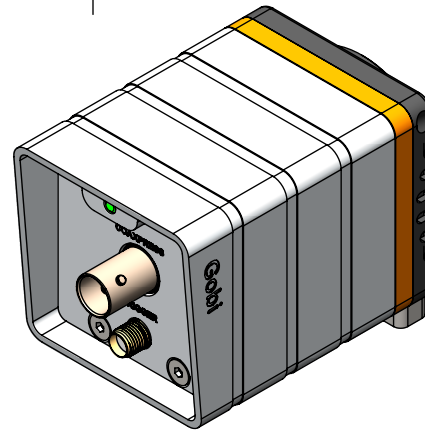
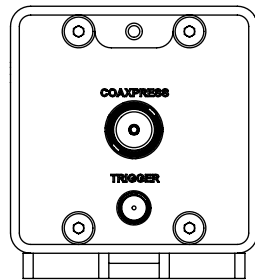
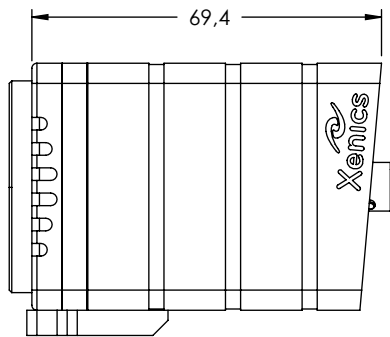


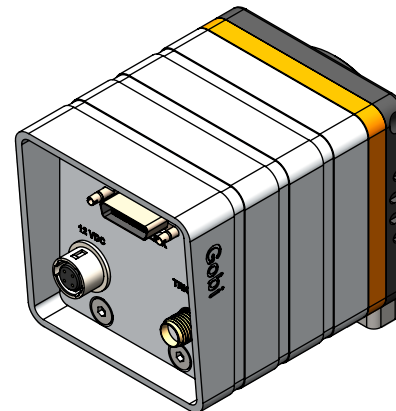
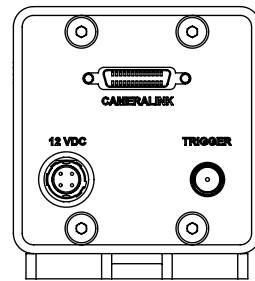
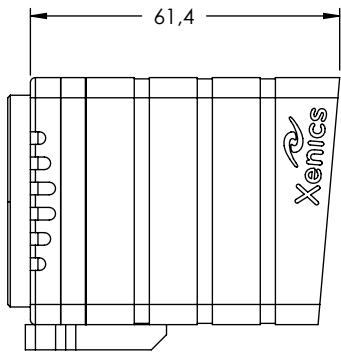
GigE	
Sensor	Mass
640x480 (17µm)	263
384x288 (25µm)	263



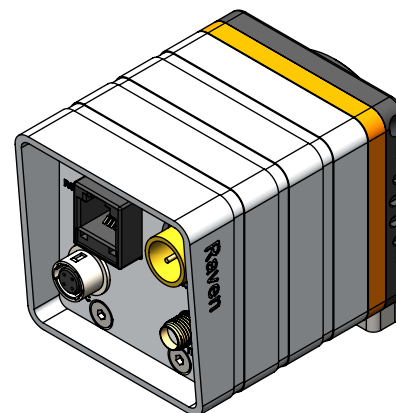
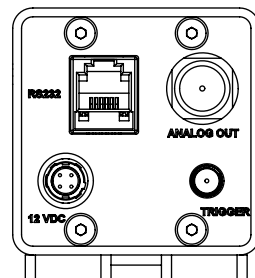
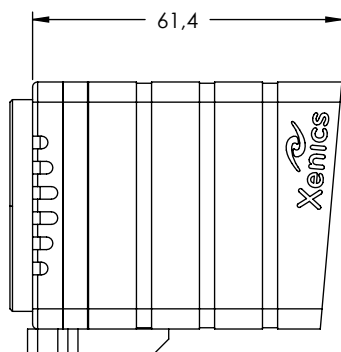
F					Xenics nv Ambachtenlaan 44 BE-3001 Leuven	T +32 16 38 99 00 F +32 16 38 99 01 www.xenics.com	
E					All information contained in this document is the exclusive property of XENICS nv, it may in no case be reproduced, even partly or be used for any possible purpose without prior written consent of XENICS nv.		
D	3	15/01/2014	JDH	Gobi - Raven			
C	all	04/10/2013	JDH				
B	all	07/03/2013	JDH	DWG NO.			
A	original	22/10/2012	JDH				
issue	changes	date	draft	SCALE:2:3	dimensions are in mm		SHEET 1 OF 2



CoaXpress	
Sensor	Mass
640x480 (17µm)	231
384x288 (25µm)	231



CameraLink	
Sensor	Mass
640x480 (17µm)	208
384x288 (25µm)	208



Analog	
Sensor	Mass
640x480 (17µm)	222
384x288 (25µm)	222

Xenics nv
 Ambachtenlaan 44
 BE-3001 Leuven

T +32 16 38 99 00
 F +32 16 38 99 01
 www.xenics.com



All information contained in this document is the exclusive property of XENICS nv, it may in no case be reproduced, even partly or be used for any possible purpose without prior written consent of XENICS nv.

Gobi - Raven

DWG NO.

A4

SCALE:2:3

dimensions are in mm

SHEET 2 OF 2