



## A VERSATILE DESKTOP SPECTRAL IMAGING SYSTEM

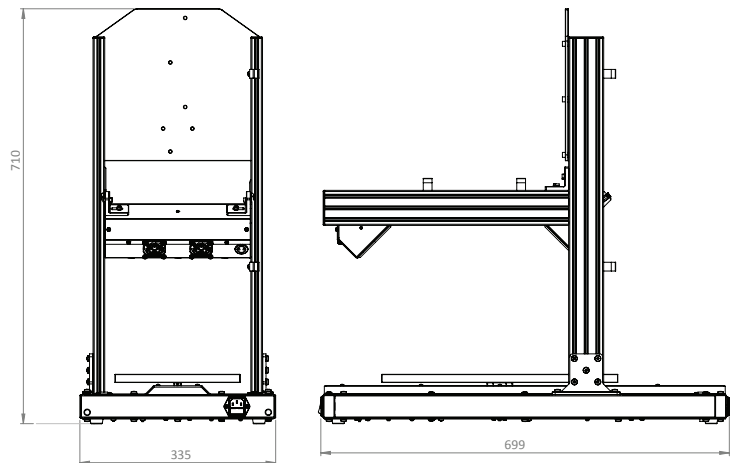
Specim LabScanner 40x20 is a small scanner for laboratory use. It has a 400x200 mm sample tray, a mount for a camera, halogen illumination and optional camera height adjustment. The scanner can be ordered with a Dual Illumination unit. The scanner is controlled through the spectral camera or with a separate control cable using Specim's LUMO Scanner Software Suite.

## COMPATIBILITY

Specim LabScanner 40x20 is designed for the following cameras:

- Specim FX10
- Specim FX17
- SWIR (Note! SWIR camera cannot be powered using the scanner's power out connector)

## DIMENSIONS



Size (L x W x H)	699 x 335 x 710 mm
Camera height adjustment	Optional, 200 mm
Sample tray dimensions	400 x 200 mm
Weight	13 kg +/- 10 %
Max sample weight	5 kg
Scanning speed	0,1 mm/s – 99 mm/s
Control interface	Through spectral camera or with separate control cable (USB or RS232)
Illumination	DECOSTAR 51 ALU 20W 12V 36deg GU5.3 halogen
Input voltage	Nominal 100...240 VAC
Output voltage	12V DC
Output current	26.7 A
Max power consumption (incl. scanner motor, illumination, FX17)	Single illumination: 110W Dual illumination: 170W